



REFPLUS[®]

INDUSTRIAL WALK-IN COOLERS AND FREEZERS

High velocity units, draw through, EMA Models
for coolers above +34°F
Capacity from 21500
to 120000 Btu/hr/10°F TD

**EME, EMG, EMH, EMR
and EMT Models**
for coolers and freezers
from -40°F to +34°F
Capacity from 20000
to 116000 Btu/hr/10°F TD

EHA Models
for coolers above +34°F
Capacity from 45000
to 248000 Btu/hr/10°F TD

**EHE, EHG, EHH, EHR
and EHT Models**
for coolers and freezers
from -40°F to +34°F
Capacity from 40000
to 240000 Btu/hr/10°F TD

EIE, EIG, EIH, EIR and EIT Models
for coolers and freezers
from -40°F to +34°F
Capacity from 44000
to 272000 Btu/hr/10°F TD

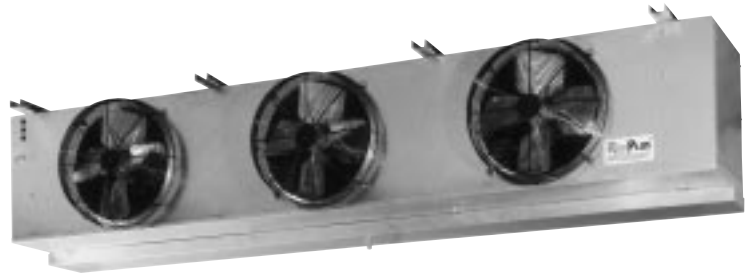
EBE, EBR and EBT Models
for freezers from -40°F to 0°F
Capacity from 34200
to 427200 Btu/hr/10°F TD

EFE, EFR and EFT Models
for freezers from -40°F to 0°F
Capacity from 33300
to 419400 Btu/hr/10°F TD





EM SERIES



EMA

FOR COOLERS ABOVE +34°F

AIR DEFROST

MODEL	CFM	CAPACITY (MBH)				FAN MOTOR ELECTRICAL DATA					R-404A, R507 OPERATING CHARGE (LBS)
		8°F TD	10°F TD	12°F TD	15°F TD	FULL LOAD AMPERE					
						QTY	208V	240V	480V	600V	
EMA 2150	4200	17.2	21.5	25.8	32.3	1	2.8	2.6	1.3	0.8	3.4
EMA 2550	3950	20.4	25.5	30.6	38.3	1	2.8	2.6	1.3	0.8	4.5
EMA 3000	3500	24.0	30.0	36.0	45.0	1	2.8	2.6	1.3	0.8	6.7
EMA 4300	8400	34.4	43.0	51.6	64.5	2	5.6	5.2	2.6	1.6	6.6
EMA 5100	7900	40.8	51.0	61.2	76.5	2	5.6	5.2	2.6	1.6	8.7
EMA 6000	7000	48.0	60.0	72.0	90.0	2	5.6	5.2	2.6	1.6	13.1
EMA 7650	11850	61.2	76.5	91.8	114.8	3	8.4	7.8	3.9	2.4	13.0
EMA 9000	10500	72.0	90.0	108.0	135.0	3	8.4	7.8	3.9	2.4	19.5
EMA 10200	16000	81.6	102.0	122.4	153.0	4	11.2	10.4	5.2	3.2	18.2
EMA 12000	14200	96.0	120.0	144.0	180.0	4	11.2	10.4	5.2	3.2	27.3

• Standard units are 8 FPI, for 6 FPI multiply capacity by 0.90, for 4 FPI multiply capacity by 0.75.

• Wiring diagram figure-5

EME

FOR COOLERS AND FREEZERS FROM -40°F TO +34°F

ELECTRIC DEFROST

MODEL	CFM	CAPACITY (MBH @ 10°F TD)				FAN MOTOR QTY	FAN MOTOR ELECTRICAL DATA				DEFROST HEATER ELECTRICAL DATA						R-404A, R507 OPERATING CHARGE (LBS)		
		-40°F	-20°F	0°F	+20°F		FULL LOAD AMPERE				DEFROST HEATERS (KW)			FULL LOAD AMPERE					
							208V	240V	480V	600V	208V	240V	480V	600V	208V	240V		480V	600V
EME 02000	4300	15.4	17.0	18.5	20.0	1	2.8	2.6	1.3	0.8	3.8	5.1	4.1	4.8	10.5	12.3	4.9	4.6	5.6
EME 02400	4100	18.5	20.4	22.2	24.0	1	2.8	2.6	1.3	0.8	3.8	5.1	4.1	4.8	10.5	12.3	4.9	4.6	7.7
EME 02900	3700	22.3	24.7	26.8	29.0	1	2.8	2.6	1.3	0.8	5.8	5.8	6.1	7.2	16.1	14.0	7.3	6.9	11.4
EME 04000	8600	30.8	34.0	37.0	40.0	2	5.6	5.2	2.6	1.6	7.7	10.2	8.2	9.6	21.3	24.5	9.9	9.2	11.8
EME 04800	8200	37.0	40.8	44.4	48.0	2	5.6	5.2	2.6	1.6	7.7	10.2	8.2	9.6	21.3	24.5	9.9	9.2	15.0
EME 05800	7400	44.7	49.3	53.7	58.0	2	5.6	5.2	2.6	1.6	11.5	15.3	12.3	14.4	31.9	36.8	14.8	13.9	22.1
EME 07200	12300	55.4	61.2	66.6	72.0	3	8.4	7.8	3.9	2.4	11.5	15.3	12.3	14.4	31.9	36.8	14.8	13.9	22.3
EME 08700	11100	67.0	74.0	80.5	87.0	3	8.4	7.8	3.9	2.4	17.3	23.0	18.4	21.6	48.0	55.3	22.1	20.8	32.8
EME 09600	17400	73.9	81.6	88.8	96.0	4	11.2	10.4	5.2	3.2	17.3	23.0	18.4	21.6	48.0	55.3	22.1	20.8	30.3
EME 11600	16600	89.3	98.6	107.3	116.0	4	11.2	10.4	5.2	3.2	23.0	30.6	24.6	28.8	63.8	73.6	29.6	27.7	45.8

• Standard units are 6 FPI, for 4 FPI multiply capacity by 0.85

• Wiring diagram figure-8



EMR/EMT/EMG/EMH

FOR COOLERS AND FREEZERS FROM -40°F TO +34°F

GAS DEFROST

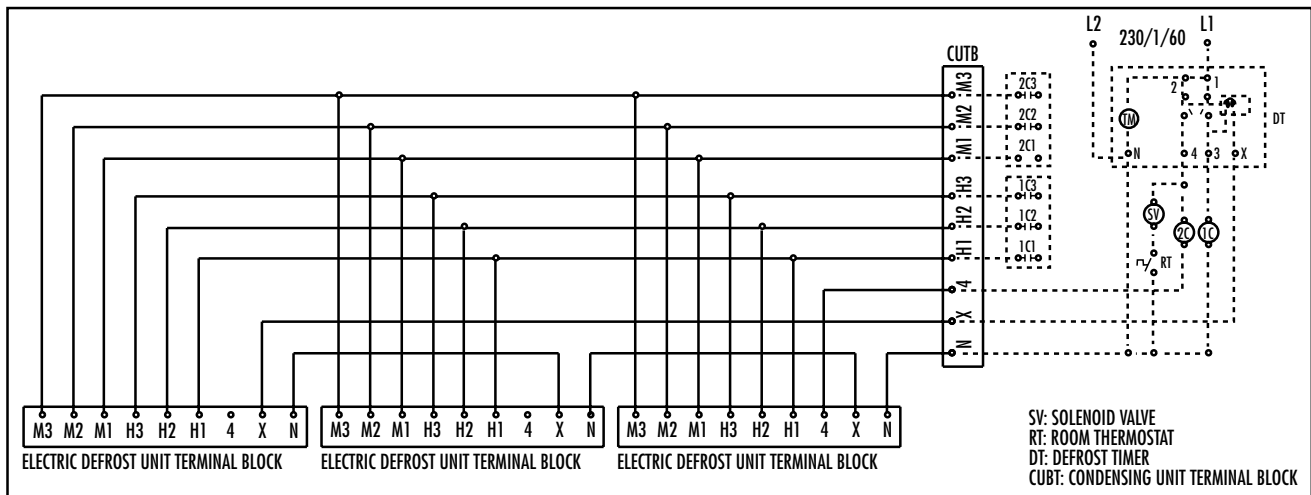
MODEL (G-H-R-T)*	CFM	CAPACITY (MBH @ 10°FDT)				FAN MOTOR QTY	FAN MOTOR ELECTRICAL DATA FULL LOAD AMPERE				EMG/EMH DEFROST HEATER ELECTRICAL DATA DEFROST HEATERS (KW)				FULL LOAD AMPERE				R-404A, R507 OPERATING CHARGE (LBS)
		-40°F	-20°F	0°F	+20°F		208V	240V	480V	600V	208V	240V	480V	600V	208V	240V	480V	600V	
		EM* 02000	4300	15.4	17.0		18.5	20.0	1	2.8	2.6	1.3	0.8	1.0	1.3	1.0	1.6	4.6	
EM* 02400	4100	18.5	20.4	22.2	24.0	1	2.8	2.6	1.3	0.8	1.0	1.3	1.0	1.6	4.6	5.3	1.2	2.7	4.5
EM* 02900	3700	22.3	24.7	26.8	29.0	1	2.8	2.6	1.3	0.8	1.0	1.3	1.0	1.6	4.6	5.3	1.2	2.7	6.7
EM* 04000	8600	30.8	34.0	37.0	40.0	2	5.6	5.2	2.6	1.6	1.9	2.6	2.0	3.2	9.2	10.7	2.5	5.3	6.6
EM* 04800	8200	37.0	40.8	44.4	48.0	2	5.6	5.2	2.6	1.6	1.9	2.6	2.0	3.2	9.2	10.7	2.5	5.3	8.7
EM* 05800	7400	44.7	49.3	53.7	58.0	2	5.6	5.2	2.6	1.6	1.9	2.6	2.0	3.2	9.2	10.7	2.5	5.3	13.1
EM* 07200	12300	55.4	61.2	66.6	72.0	3	8.4	7.8	3.9	2.4	2.9	3.8	3.1	4.8	13.8	16.0	3.7	8.0	25.8
EM* 08700	11100	67.0	74.0	80.5	87.0	3	8.4	7.8	3.9	2.4	2.9	3.8	3.1	4.8	13.8	16.0	3.7	8.0	37.1
EM* 09600	17400	73.9	81.6	88.8	96.0	4	11.2	10.4	5.2	3.2	2.9	3.8	3.1	4.8	13.8	16.0	3.7	8.0	34.6
EM* 11600	16600	89.3	98.6	107.3	116.0	4	11.2	10.4	5.2	3.2	2.9	3.8	3.1	4.8	13.8	16.0	3.7	8.0	52.0

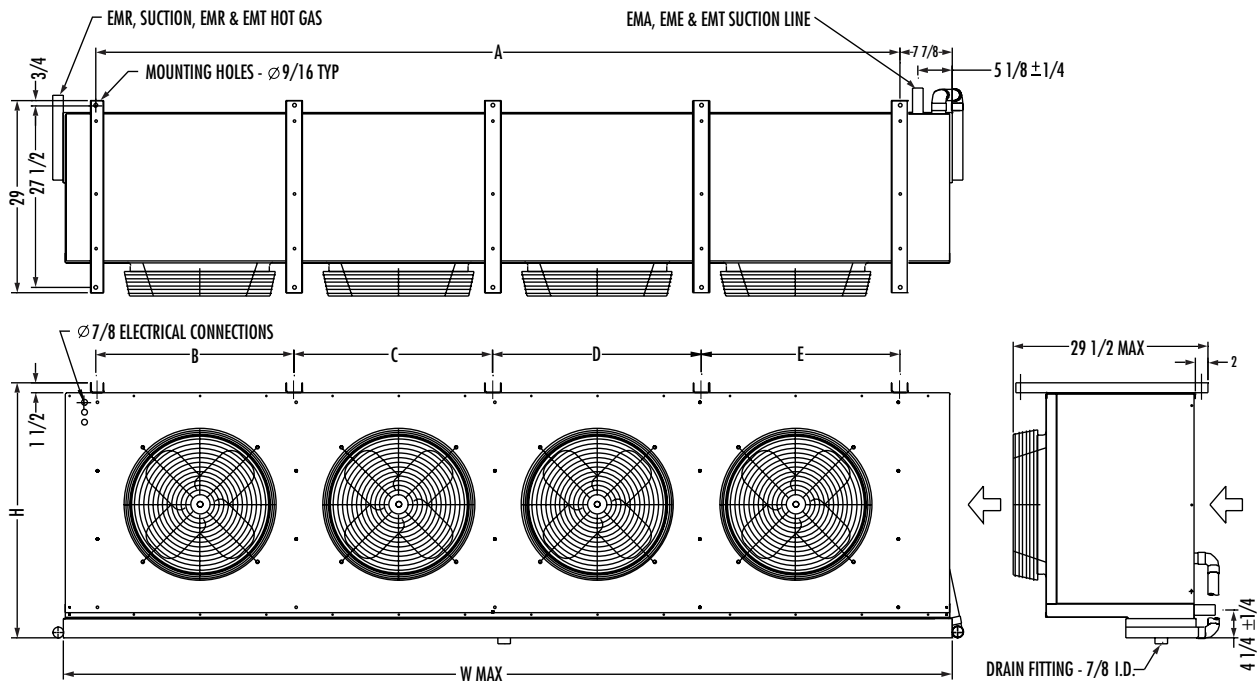
- Standard units are 6 FPI, for 4 FPI multiply capacity by 0.85
- Use EMR model for reverse cycle defrost with hot gas drain pan. (Piping diagram figure-1 and Wiring diagram figure-7)
- Use EMT model for three pipe defrost with hot gas drain pan. (Piping diagram figure-3 and Wiring diagram figure-7)
- Use EMG model for reverse cycle defrost with electric drain pan. (piping diagram figure-2 and Wiring diagram figure-6)
- Use EMH model for three pipe defrost with electric drain pan. (piping diagram figure-4 and Wiring diagram figure-6)

FUSE SIZE AMPS.

MODEL (R-T)*	MOTORS				HEATERS				MODEL (G-H)**	MOTORS				HEATERS			
	208V	240V	480V	600V	208V	240V	480V	600V		208V	240V	480V	600V	208V	240V	480V	600V
EMA 2150, EM* 02000	15	15	15	15	N/A	N/A	N/A	N/A	EME 05800	15	15	15	15	40	45	20	15
EMA 2550, EM* 02400	15	15	15	15	N/A	N/A	N/A	N/A	EME 07200	15	15	15	15	40	45	20	15
EMA 3000, EM* 02900	15	15	15	15	N/A	N/A	N/A	N/A	EME 08700	15	15	15	15	60	2x35	25	25
EMA 4300, EM* 04000	15	15	15	15	N/A	N/A	N/A	N/A	EME 09600	15	15	15	15	60	2x35	25	25
EMA 5100, EM* 04800	15	15	15	15	N/A	N/A	N/A	N/A	EME 11600	15	15	15	15	2x40	2x45	35	35
EMA 6000, EM* 05800	15	15	15	15	N/A	N/A	N/A	N/A	EM** 02000	15	15	15	15	15	15	15	15
EMA 7650, EM* 07200	15	15	15	15	N/A	N/A	N/A	N/A	EM** 02400	15	15	15	15	15	15	15	15
EMA 9000, EM* 08700	15	15	15	15	N/A	N/A	N/A	N/A	EM** 02900	15	15	15	15	15	15	15	15
EMA 10200, EM* 09600	15	15	15	15	N/A	N/A	N/A	N/A	EM** 04000	15	15	15	15	15	15	15	15
EMA 12000, EM* 11600	15	15	15	15	N/A	N/A	N/A	N/A	EM** 04800	15	15	15	15	15	15	15	15
EME 02000	15	15	15	15	15	15	15	15	EM** 05800	15	15	15	15	15	15	15	15
EME 02400	15	15	15	15	15	15	15	15	EM** 07200	15	15	15	15	15	20	15	15
EME 02900	15	15	15	15	20	15	15	15	EM** 08700	15	15	15	15	15	20	15	15
EME 04000	15	15	15	15	25	30	15	15	EM** 09600	15	15	15	15	15	20	15	15
EME 04800	15	15	15	15	25	30	15	15	EM** 11600	15	15	15	15	15	20	15	15

WIRING DIAGRAM FOR MULTIPLE ELECTRIC DEFROST UNITS





EM SERIES

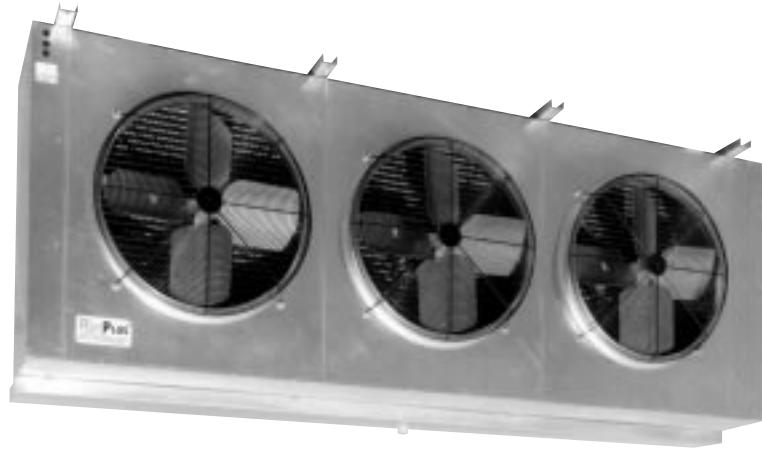
MODEL	SHIPPING WEIGHT (LBS)	MODEL	SHIPPING WEIGHT (LBS)	MODEL * (G-H-R-T)	SHIPPING WEIGHT (LBS)	FAN QTY	UNIT DIMENSIONS (INCHES)							CONNECTION (INCHES)				
							W	H ⁽¹⁾	A	B	C	D	E	EMA		EM(E)(G)(H)(R)		EMT
														LIQUID	SUCTION	LIQUID	SUCTION	HOT GAS
EMA 2150	210	EME 02000	255	EM* 02000	230	1	54.25	28	41.5	41.5	-	-	-	1/2	1 1/8	1/2	1 1/8	7/8
EMA 2550	225	EME 02400	265	EM* 02400	245	1	54.25	28	41.5	41.5	-	-	-	1/2	1 1/8	1/2	1 1/8	7/8
EMA 3000	245	EME 02900	295	EM* 02900	265	1	54.25	28	41.5	41.5	-	-	-	7/8	1 1/8	7/8	1 1/8	7/8
EMA 4300	375	EME 04000	455	EM* 04000	405	2	94.25	28	81.5	40	41.5	-	-	7/8	1 3/8	7/8	1 3/8	1 1/8
EMA 5100	400	EME 04800	480	EM* 04800	430	2	94.25	28	81.5	40	41.5	-	-	7/8	1 3/8	7/8	1 3/8	1 1/8
EMA 6000	440	EME 05800	540	EM* 05800	470	2	94.25	28	81.5	40	41.5	-	-	7/8	1 3/8	7/8	1 3/8	1 1/8
EMA 7650	595	EME 07200	720	EM* 07200	630	3	134.25	28	121.5	40	41.5	40	-	7/8	1 5/8	7/8	1 5/8	1 3/8
EMA 9000	640	EME 08700	772	EM* 08700	680	3	134.25	28	121.5	40	41.5	40	-	1 3/8	1 5/8	7/8	1 5/8	1 3/8
EMA 10200	785	EME 09600	930	EM* 09600	835	4	134.25	38	121.5	30	30	31.5	30	1 3/8	1 5/8	1 3/8	1 5/8	1 3/8
EMA 12000	830	EME 11600	989	EM* 11600	900	4	134.25	38	121.5	30	30	31.5	30	1 3/8	1 5/8	1 3/8	1 5/8	1 3/8

⁽¹⁾ For EMT & EMR height= H+5/8"

- Operating charge are based on 30 % liquid and 70 % vapor at 25° F suction.
- For R22 and R-134a refrigerant charge multiply R-404A by 1.09
- In order to specify unit voltage, use suffix 5 for 208-240V/3/60, suffix 9 for 480V/3/60 and suffix 8 for 600/3/60 (ex.: EMA 04300-8)

- Unit voltage 208-230/1/60 are available for all model EM(A,G,H,R,T) & EME 2000 @ 7200, use suffix 2 to order. (ex.: EMG 04000-2)
- All units are available for 200V/3/50 and 380/3/50 (multiple unit capacity by 0.92)
- Air throw is 40 to 50ft

EH SERIES



EHA

FOR COOLERS ABOVE +34°F

AIR DEFROST

MODEL	CFM	CAPACITY (MBH)				FAN MOTOR ELECTRICAL DATA					R-404A, R507 OPERATING CHARGE (LBS)
		8°F _{TD}	10°F _{TD}	12°F _{TD}	15°F _{TD}	FULL LOAD AMPERE					
						QTY	208V	240V	480V	600V	
EHA 04500	8300	36.0	45.0	54.0	67.5	1	4.4	4.0	2.0	1.6	6.7
EHA 05400	7900	43.2	54.0	64.8	81.0	1	4.4	4.0	2.0	1.6	9.0
EHA 06200	7000	49.6	62.0	74.4	93.0	1	4.4	4.0	2.0	1.6	13.5
EHA 09000	16600	72.0	90.0	108.0	135.0	2	8.8	8.0	4.0	3.2	13.1
EHA 10800	15800	86.4	108.0	129.6	162.0	2	8.8	8.0	4.0	3.2	17.5
EHA 12400	14000	99.2	124.0	148.8	186.0	2	8.8	8.0	4.0	3.2	26.2
EHA 16200	23700	129.6	162.0	194.4	243.0	3	13.2	12.0	6.0	4.8	26.0
EHA 18600	21000	148.8	186.0	223.2	279.0	3	13.2	12.0	6.0	4.8	74.2
EHA 24800	28000	198.4	248.0	297.6	372.0	4	17.6	16.0	8.0	6.4	98.5

• Standard units are 8 FPI, for 6 FPI multiply capacity by 0.90, for 4 FPI multiply capacity by 0.75

• Wiring diagram figure-5

EHE

FOR COOLERS AND FREEZERS FROM -40°F TO +34°F

ELECTRIC DEFROST

MODEL	CFM	CAPACITY (MBH @ 10°F _{TD})				FAN MOTOR QTY	FAN MOTOR ELECTRICAL DATA				DEFROST HEATER ELECTRICAL DATA								R-404A, R507 OPERATING CHARGE (LBS)
		-40°F	-20°F	0°F	+20°F		FULL LOAD AMPERE				DEFROST HEATERS (KW)				FULL LOAD AMPERE				
							208V	240V	480V	600V	208V	240V	480V	600V	208V	240V	480V	600V	
EHE 04000	8600	30.8	34.0	37.0	40.0	1	4.4	4.0	2.0	1.6	7.7	10.2	8.2	9.6	21.3	24.6	9.9	9.2	10.7
EHE 04800	8200	37.0	40.8	44.4	48.0	1	4.4	4.0	2.0	1.6	7.7	10.2	8.2	9.6	21.3	24.6	9.9	9.2	15.0
EHE 06000	7600	46.2	51.0	55.5	60.0	1	4.4	4.0	2.0	1.6	9.6	12.8	10.2	12.0	26.7	30.8	12.3	11.5	23.0
EHE 08000	17200	61.6	68.0	74.0	80.0	2	8.8	8.0	4.0	3.2	15.4	20.5	16.4	19.2	42.7	49.3	19.7	18.5	20.8
EHE 09600	16400	73.9	81.6	88.8	96.0	2	8.8	8.0	4.0	3.2	15.4	20.5	16.4	19.2	42.7	49.3	19.7	18.5	29.2
EHE 12000	15200	92.4	102.0	111.0	120.0	2	8.8	8.0	4.0	3.2	19.2	25.6	20.5	24.0	53.4	61.6	24.6	23.1	44.6
EHE 14000	25800	107.8	119.0	129.5	140.0	3	13.2	12.0	6.0	4.8	23.1	30.7	24.6	28.8	64.0	73.9	29.6	27.7	43.3
EHE 18000	22800	138.6	153.0	166.5	180.0	3	13.2	12.0	6.0	4.8	28.8	38.4	30.7	36.0	80.1	92.4	37.0	34.6	66.2
EHE 24000	30400	184.8	204.0	222.0	240.0	4	17.6	16.0	8.0	6.4	38.5	51.2	41.0	48.0	106.7	123.2	49.3	46.2	98.5

• Standard units are 6 FPI, for 4 FPI multiply capacity by 0.85

• Wiring diagram figure-8

EHR/EHT/EHG/EHH

FOR COOLERS AND FREEZERS FROM -40°F TO +34°F

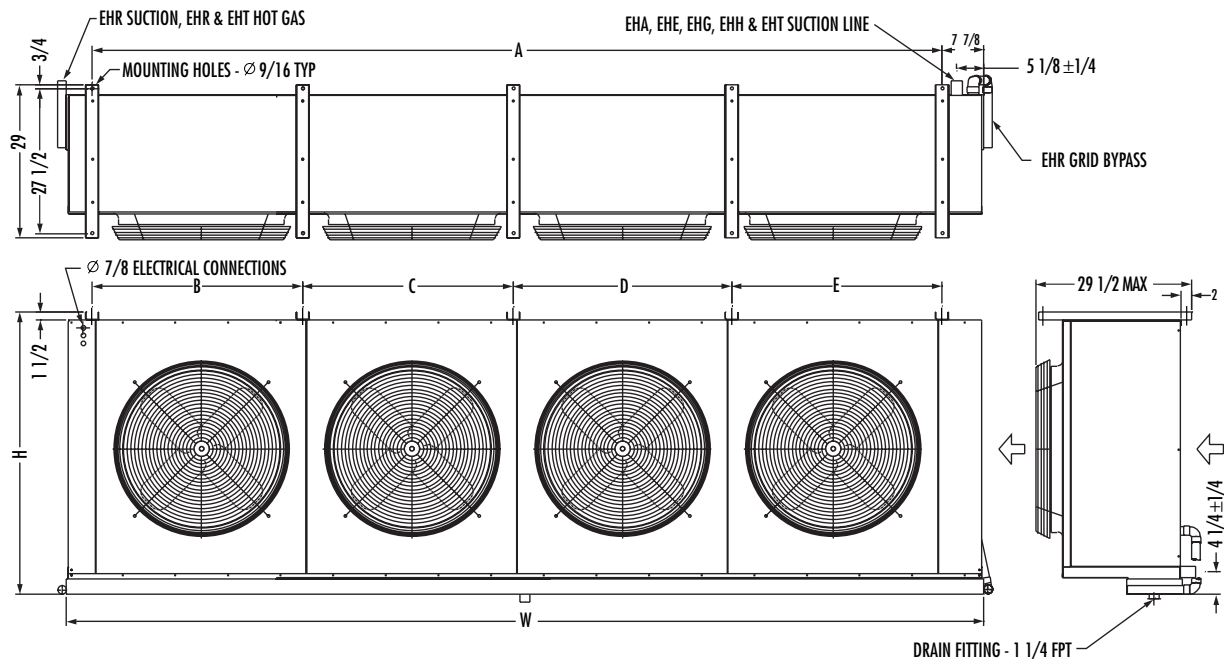
GAS DEFROST

MODEL (G-H-R-T)*	CFM	CAPACITY (MBH @ 10°FDT)				FAN MOTOR QTY	FAN MOTOR ELECTRICAL DATA				EHG/EHH DEFROST HEATER ELECTRICAL DATA								R-404A, R507 OPERATING CHARGE (LBS)
		-40°F	-20°F	0°F	+20°F		FULL LOAD AMPERE				DEFROST HEATERS (KW)				FULL LOAD AMPERE				
							208V	240V	480V	600V	208V	240V	480V	600V	208V	240V	480V	600V	
EH * 04000	8600	30.8	34.0	37.0	40.0	1	4.4	4.0	2.0	1.6	1.0	1.3	1.0	1.6	4.6	5.3	1.2	2.7	6.7
EH * 04800	8200	37.0	40.8	44.4	48.0	1	4.4	4.0	2.0	1.6	1.0	1.3	1.0	1.6	4.6	5.3	1.2	2.7	9.0
EH * 06000	7600	46.2	51.0	55.5	60.0	1	4.4	4.0	2.0	1.6	1.0	1.3	1.0	1.6	4.6	5.3	1.2	2.7	13.5
EH * 08000	17200	61.6	68.0	74.0	80.0	2	8.8	8.0	4.0	3.2	1.9	2.6	2.0	3.2	9.2	10.7	2.5	5.3	13.1
EH * 09600	16400	73.9	81.6	88.8	96.0	2	8.8	8.0	4.0	3.2	1.9	2.6	2.0	3.2	9.2	10.7	2.5	5.3	17.5
EH * 12000	15200	92.4	102.0	111.0	120.0	2	8.8	8.0	4.0	3.2	1.9	2.6	2.0	3.2	9.2	10.7	2.5	5.3	26.2
EH * 14000	25800	107.8	119.0	129.5	140.0	3	13.2	12.0	6.0	4.8	2.9	3.8	3.1	4.8	13.9	16.0	3.7	8.0	49.5
EH * 18000	22800	138.6	153.0	166.5	180.0	3	13.2	12.0	6.0	4.8	2.9	3.8	3.1	4.8	13.9	16.0	3.7	8.0	74.2
EH * 24000	30400	184.8	204.0	222.0	240.0	4	17.6	16.0	8.0	6.4	3.8	5.1	4.1	6.4	18.5	21.3	4.9	10.7	98.5

- Standard units are 6 FPI, for 4 FPI multiply capacity by 0.85
- Use EHR model for reverse cycle defrost with hot gas drain pan. (Piping diagram figure-1 and Wiring diagram figure-7)
- Use EHT model for three pipe defrost with hot gas drain pan. (Piping diagram figure-3 and Wiring diagram figure-7)
- Use EHG model for reverse cycle defrost with electric drain pan. (piping diagram figure-2 and Wiring diagram figure-6)
- Use EHH model for three pipe defrost with electric drain pan. (piping diagram figure-4 and Wiring diagram figure-6)

FUSE SIZE AMPS.

MODEL	MOTORS				HEATERS			
	208V	240V	480V	600V	208V	240V	480V	600V
EHA 04500 & EH(R)(T) 04000	15	15	15	15	N/A	N/A	N/A	N/A
EHA 05400 & EH(R)(T) 04800	15	15	15	15	N/A	N/A	N/A	N/A
EHA 06200 & EH(R)(T) 06000	15	15	15	15	N/A	N/A	N/A	N/A
EHA 09000 & EH(R)(T) 08000	15	15	15	15	N/A	N/A	N/A	N/A
EHA 10800 & EH(R)(T) 09600	15	15	15	15	N/A	N/A	N/A	N/A
EHA 12400 & EH(R)(T) 12000	15	15	15	15	N/A	N/A	N/A	N/A
EHA 16200 & EH(R)(T) 14000	15	15	15	15	N/A	N/A	N/A	N/A
EHA 18600 & EH(R)(T) 18000	15	15	15	15	N/A	N/A	N/A	N/A
EHA 24800 & EH(R)(T) 24000	20	20	15	15	N/A	N/A	N/A	N/A
EHE 04000	15	15	15	15	25	30	15	15
EHE 04800	15	15	15	15	25	30	15	15
EHE 06000	15	15	15	15	30	35	20	15
EHE 08000	15	15	15	15	50	2X30	25	20
EHE 09600	15	15	15	15	50	2X30	25	20
EHE 12000	15	15	15	15	2X30	2X35	30	25
EHE 14000	20	20	15	15	2X40	2X45	35	30
EHE 18000	20	20	15	15	2X50	2X50	40	40
EHE 24000	30	30	15	15	3X50	3X60	2X30	50
EH(G)(H) 04000	15	15	15	15	15	15	15	15
EH(G)(H) 04800	15	15	15	15	15	15	15	15
EH(G)(H) 06000	15	15	15	15	15	15	15	15
EH(G)(H) 08000	15	15	15	15	15	15	15	15
EH(G)(H) 09600	15	15	15	15	15	15	15	15
EH(G)(H) 12000	15	15	15	15	15	15	15	15
EH(G)(H) 14000	15	15	15	15	15	20	15	15
EH(G)(H) 18000	15	15	15	15	15	20	15	15
EH(G)(H) 24000	20	20	15	15	20	25	15	15



EH SERIES

MODEL	SHIPPING WEIGHT (LBS)	MODEL	SHIPPING WEIGHT (LBS)	MODEL * (G-H-R-T)	SHIPPING WEIGHT (LBS)	FAN QTY	UNIT DIMENSIONS (INCHES)							CONNECTION (INCHES)				
														EHA		EH(E)(G)(H)(R)		EHT
							W	H ⁽¹⁾	A	B	C	D	E	LIQUID	SUCTION	LIQUID	SUCTION	HOT GAS
EHA 04500	480	EHE 04000	560	EH* 04000	500	1	54.25	53	41.5	41.5	-	-	-	7/8	1 3/8	7/8	1 3/8	1 1/8
EHA 05400	500	EHE 04800	590	EH* 04800	520	1	54.25	53	41.5	41.5	-	-	-	7/8	1 3/8	7/8	1 3/8	1 1/8
EHA 06200	545	EHE 06000	640	EH* 06000	565	1	54.25	53	41.5	41.5	-	-	-	7/8	1 3/8	7/8	1 3/8	1 1/8
EHA 09000	805	EHE 08000	960	EH* 08000	835	2	94.25	53	81.5	40	41.5	-	-	7/8	1 5/8	7/8	1 5/8	1 3/8
EHA 10800	850	EHE 09600	1018	EH* 09600	880	2	94.25	53	81.5	40	41.5	-	-	1 3/8	1 5/8	7/8	1 5/8	1 3/8
EHA 12400	940	EHE 12000	1125	EH* 12000	970	2	94.25	53	81.5	40	41.5	-	-	1 5/8	1 5/8	7/8	1 5/8	1 3/8
EHA 16200	1240	EHE 14000	1495	EH* 14000	1280	3	134.25	53	121.5	40	41.5	40	-	1 5/8	2 1/8	7/8	2 1/8	1 3/8
EHA 18600	1335	EHE 18000	1610	EH* 18000	1375	3	134.25	53	121.5	40	41.5	40	-	1 5/8	2 1/8	1 5/8	2 1/8	1 5/8
EHA 24800	1880	EHE 24000	2036	EH* 24000	1940	4	174.25	53	161.5	40	41.5	40	-	1 5/8	2 1/8	⁽²⁾ 2X7/8	⁽²⁾ 2X1 5/8	⁽²⁾ 2X1 3/8

⁽¹⁾For EHT & EHR height = H+5/8"

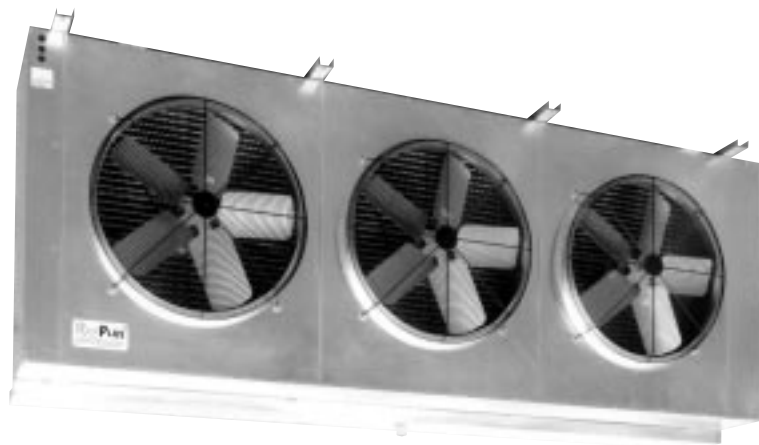
⁽²⁾Single circuit for medium temperature with R-22

- Operating charge are based on 30 % liquid and 70 % vapor at 25° F suction
- For R22 and R-134a refrigerant charge multiply R-404A by 1.09

- In order to specify unit voltage, use suffix 5 for 208-240V/3/60, suffix 9 for 480V/3/60 and suffix 8 for 600/3/60 (ex.: EHE 04800-8)
- All units are available for 200V/3/50 and 380/3/50 (multiple unit capacity by 0.92)
- Air throw is 50 to 60ft



EI SERIES



EIE

FOR COOLERS AND FREEZERS FROM -40°F TO +34°F

ELECTRIC DEFROST

MODEL	CFM	CAPACITY (MBH @ 10°FDT)			FAN MOTOR QTY	FAN MOTOR ELECTRICAL DATA				DEFROST HEATER ELECTRICAL DATA				R-404A, R-507 OPERATING CHARGE (LBS)				
		-40°F	-20°F	0°F		FULL LOAD AMPERE				DEFROST HEATERS (KW)					FULL LOAD AMPERE			
						208V	240V	480V	600V	208V	240V	480V	600V		208V	240V	480V	600V
EIE 04400	10700	33.9	37.4	40.7	1	5.8	6.0	3.0	2.3	7.7	10.2	8.2	9.6	21.3	24.6	9.9	9.2	10.7
EIE 05400	10300	41.6	45.9	50.0	1	5.8	6.0	3.0	2.3	7.7	10.2	8.2	9.6	21.3	24.6	9.9	9.2	15.0
EIE 06800	9600	52.4	57.8	62.9	1	5.8	6.0	3.0	2.3	9.6	12.8	10.2	12.0	26.7	30.8	12.3	11.5	23.0
EIE 08800	21400	67.8	74.8	81.4	2	11.6	12.0	6.0	4.6	15.4	20.5	16.4	19.2	42.7	49.3	19.7	18.5	20.8
EIE 10800	20600	83.2	91.8	99.9	2	11.6	12.0	6.0	4.6	15.4	20.5	16.4	19.2	42.7	49.3	19.7	18.5	29.2
EIE 13600	19200	104.7	115.6	125.8	2	11.6	12.0	6.0	4.6	19.2	25.6	20.5	24.0	53.4	61.6	24.6	23.1	44.6
EIE 16200	30900	124.7	137.7	149.9	3	17.4	18.0	9.0	6.9	23.1	30.7	24.6	28.8	64.0	73.9	29.6	27.7	43.3
EIE 20400	28800	157.1	173.4	188.7	3	17.4	18.0	9.0	6.9	28.8	38.4	30.7	36.0	80.1	92.4	37.0	34.6	66.2
EIE 27200	38400	209.4	231.2	251.6	4	23.2	24.0	12.0	9.2	38.5	51.2	41.0	48.0	106.7	123.2	49.3	46.2	98.5

• Standard units are 6 FPI, for 4 FPI multiply capacity by 0.85

• Wiring diagram figure-8

EIR/EIT/EIG/EIH

FOR COOLERS AND FREEZERS FROM -40°F TO +34°F

GAS DEFROST

MODEL *(G-H-R-T)	CFM	CAPACITY (MBH @ 10°FDT)			FAN MOTOR QTY	FAN MOTOR ELECTRICAL DATA				EIG/EIH DEFROST HEATER ELECTRICAL DATA				R-404A, R-507 OPERATING CHARGE (LBS)				
		-40°F	-20°F	0°F		FULL LOAD AMPERE				DEFROST HEATERS (KW)					FULL LOAD AMPERE			
						208V	240V	480V	600V	208V	240V	480V	600V		208V	240V	480V	600V
EI** 4400	10700	33.9	37.4	40.7	1	5.8	6.0	3.0	2.3	1.0	1.3	1.0	1.6	4.6	5.3	1.2	2.7	6.7
EI** 05400	10300	41.6	45.9	50.0	1	5.8	6.0	3.0	2.3	1.0	1.3	1.0	1.6	4.6	5.3	1.2	2.7	9.0
EI** 06800	9600	52.4	57.8	62.9	1	5.8	6.0	3.0	2.3	1.0	1.3	1.0	1.6	4.6	5.3	1.2	2.7	13.5
EI** 08800	21400	68.1	75.2	81.8	2	11.6	12.0	6.0	4.6	1.9	2.6	2.0	3.2	9.2	10.7	2.5	5.3	13.1
EI** 10800	20600	83.2	91.8	99.9	2	11.6	12.0	6.0	4.6	1.9	2.6	2.0	3.2	9.2	10.7	2.5	5.3	17.5
EI** 13600	19200	104.7	115.6	125.8	2	11.6	12.0	6.0	4.6	1.9	2.6	2.0	3.2	9.2	10.7	2.5	5.3	26.2
EI** 16200	30900	124.7	137.7	149.9	3	17.4	18.0	9.0	6.9	2.9	3.8	3.1	4.8	13.9	16.0	3.7	8.0	49.5
EI** 20400	28800	157.1	173.4	188.7	3	17.4	18.0	9.0	6.9	2.9	3.8	3.1	4.8	13.9	16.0	3.7	8.0	74.2
EI** 27200	38400	209.4	231.2	251.6	4	23.2	24.0	12.0	9.2	3.8	5.1	4.1	6.4	18.5	21.3	4.9	10.7	98.5

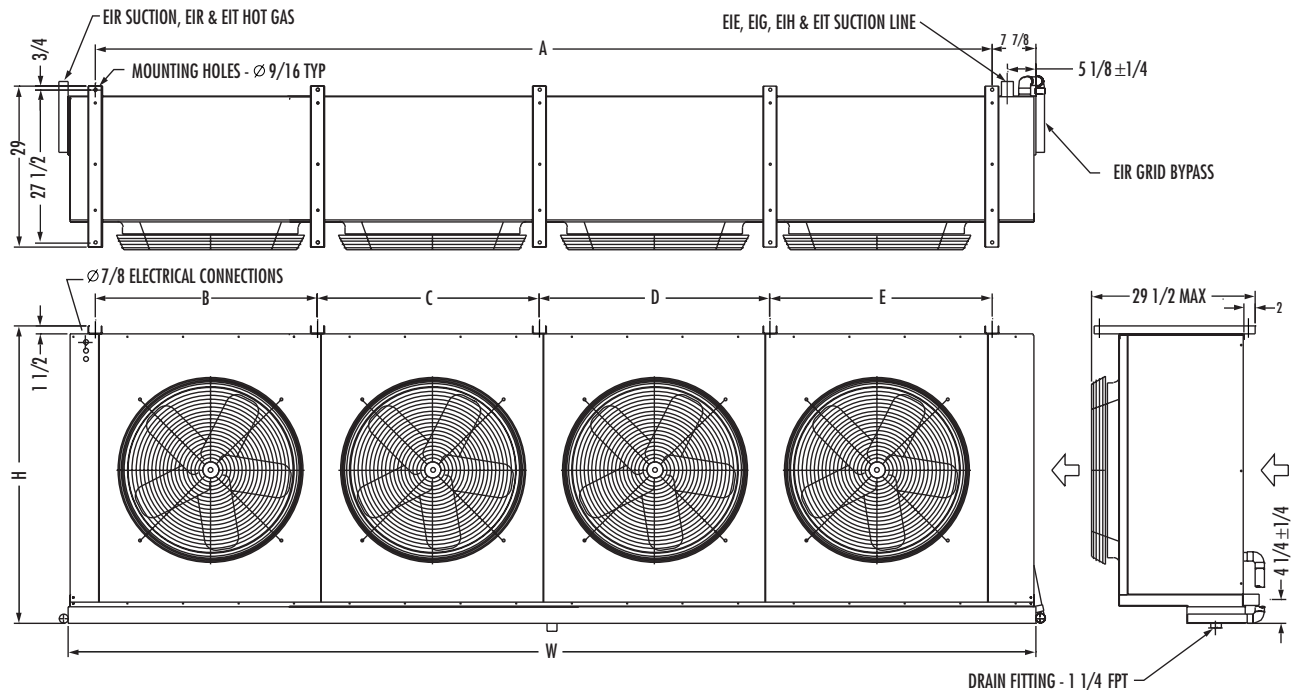
• Standard units are 6 FPI, for 4 FPI multiply capacity by 0.85

• Use EIR model for reverse cycle defrost with hot gas drain pan.
(Piping diagram figure-1 and Wiring diagram figure-7)

• Use EIT model for three pipe defrost with hot gas drain pan.
(Piping diagram figure-3 and Wiring diagram figure-7)

• Use EIG model for reverse cycle defrost with electric drain pan.
(piping diagram figure-2 and Wiring diagram figure-6)

• Use EIH model for three pipe defrost with electric drain pan.
(piping diagram figure-4 and Wiring diagram figure-6)



EI SERIES

MODEL	SHIPPING WEIGHT (LBS)	MODEL	SHIPPING WEIGHT (LBS)	FAN MOTOR QTY	UNIT DIMENSIONS (INCHES)							CONNECTION (INCHES)		
					W	H ⁽¹⁾	A	B	C	D	E	E(E)(G)(H)(R)(T)		EIT
												LIQUID	SUCTION	HOT GAS
EIE 04400	560	EI(G)(H)(R)(T) 04400	500	1	54.25	53	41.5	41.5	-	-	-	7/8	1 3/8	1 1/8
EIE 05400	590	EI(G)(H)(R)(T) 05400	520	1	54.25	53	41.5	41.5	-	-	-	7/8	1 3/8	1 1/8
EIE 06800	640	EI(G)(H)(R)(T) 06800	565	1	54.25	53	41.5	41.5	-	-	-	7/8	1 3/8	1 1/8
EIE 08800	960	EI(G)(H)(R)(T) 08800	835	2	94.25	53	81.5	40	41.5	-	-	7/8	1 5/8	1 3/8
EIE 10800	1018	EI(G)(H)(R)(T) 10800	880	2	94.25	53	81.5	40	41.5	-	-	7/8	1 5/8	1 3/8
EIE 13600	1125	EI(G)(H)(R)(T) 13600	970	2	94.25	53	81.5	40	41.5	-	-	7/8	1 5/8	1 3/8
EIE 16200	1495	EI(G)(H)(R)(T) 16200	1280	3	134.25	53	121.5	40	41.5	40	-	7/8	2 1/8	1 3/8
EIE 20400	1610	EI(G)(H)(R)(T) 20400	1375	3	134.25	53	121.5	40	41.5	40	-	1 5/8	2 1/8	1 5/8
EIE 27200	2250	EI(G)(H)(R)(T) 27200	1940	4	174.25	53	161.5	40	40	41.5	40	2X(7/8)	2X(1 5/8)	2X(1 3/8)

⁽¹⁾ For EIT & EIR height = $H + 5/8$ "

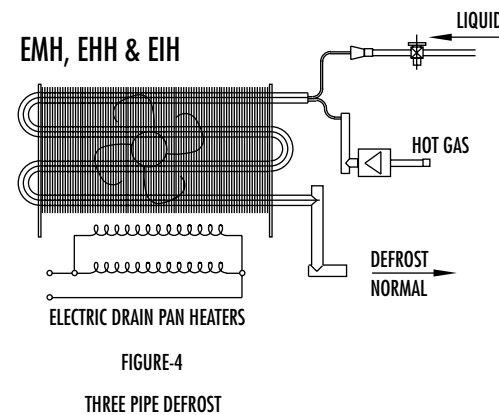
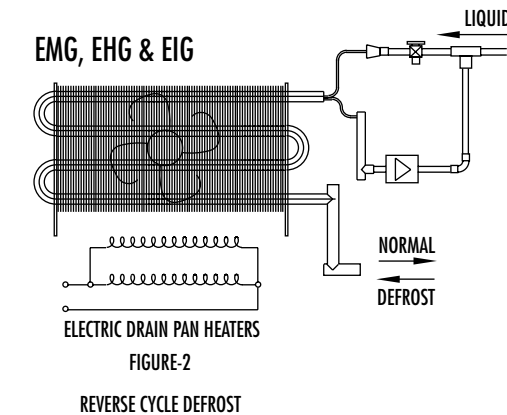
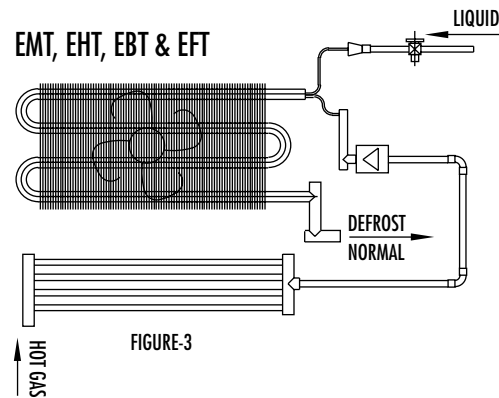
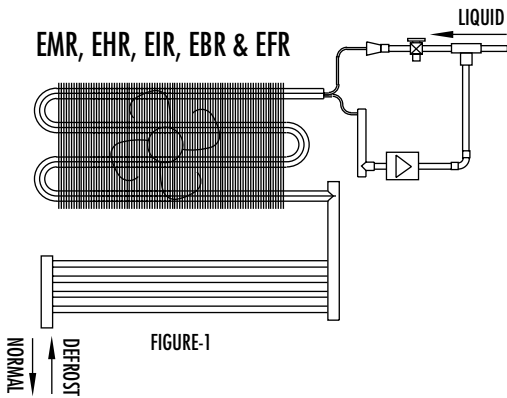
- Operating charge are based on 30 % liquid and 70 % vapor at 25° F suction
- For R22 and R-134a refrigerant charge multiply R-404A by 1.09
- In order to specify unit voltage, use suffix 5 for 208-240V/3/60, suffix 9 for 480V/3/60 and suffix 8 for 600/3/60 (ex.: EIE 10800-8)

- All units are available for 200V/3/50 and 380/3/50 (multiple unit capacity by 0.92)
- Air throw is 60 to 70ft

FUSE SIZE AMPS.

MODEL	MOTORS				HEATERS			
	208V	240V	480V	600V	208V	240V	480V	600V
EIE 04400	15	15	15	15	25	30	15	15
EIE 05400	15	15	15	15	25	30	15	15
EIE 06800	15	15	15	15	30	35	20	15
EIE 08800	15	15	15	15	50	2X30	25	20
EIE 10800	15	15	15	15	50	2X30	25	20
EIE 13600	15	15	15	15	2X30	2X35	30	25
EIE 16200	20	20	15	15	2X40	2X45	35	30
EIE 20400	20	20	15	15	2X50	2X50	40	40
EIE 27200	25	25	15	15	3X50	3X60	2X30	50
EI(G)(H) 04400	15	15	15	15	15	15	15	15
EI(G)(H) 05400	15	15	15	15	15	15	15	15
EI(G)(H) 06800	15	15	15	15	15	15	15	15
EI(G)(H) 08800	15	15	15	15	15	15	15	15
EI(G)(H) 10800	15	15	15	15	15	15	15	15
EI(G)(H) 13600	15	15	15	15	15	15	15	15
EI(G)(H) 16200	20	20	15	15	15	20	15	15
EI(G)(H) 20400	20	20	15	15	15	20	15	15
EI(G)(H) 27200	25	25	15	15	20	25	15	15
EI(R)(T) 04400	15	15	15	15	N/A	N/A	N/A	N/A
EI(R)(T) 05400	15	15	15	15	N/A	N/A	N/A	N/A
EI(R)(T) 06800	15	15	15	15	N/A	N/A	N/A	N/A
EI(R)(T) 08800	15	15	15	15	N/A	N/A	N/A	N/A
EI(R)(T) 10800	15	15	15	15	N/A	N/A	N/A	N/A
EI(R)(T) 13600	15	15	15	15	N/A	N/A	N/A	N/A
EI(R)(T) 16200	20	20	15	15	N/A	N/A	N/A	N/A
EI(R)(T) 20400	20	20	15	15	N/A	N/A	N/A	N/A
EI(R)(T) 27200	25	25	15	15	N/A	N/A	N/A	N/A

GAS DEFROST PIPING DIAGRAMS



EB SERIES



EBE

FOR FREEZERS FROM -40°F TO 0°F

ELECTRIC DEFROST

MODEL	0" AIR STATIC		0.1" AIR STATIC		0.2" AIR STATIC		FAN ARRANGEMENT	FAN MOTOR ELECTRICAL DATA				EBE DEFROST HEATER ELECTRICAL DATA								R-404A, R507 OPERATING CHARGE (LBS)
	CFM	CAPACITY (MBH@ 10°F TD -40°F SUCTION)	CFM	CAPACITY (MBH@ 10°F TD -40°F SUCTION)	CFM	CAPACITY (MBH@ 10°F TD -40°F SUCTION)		FULL LOAD AMPERE				DEFROST HEATER (KW)				FULL LOAD AMPERE				
								208V	240V	480V	600V	208V	240V	480V	600V	208V	240V	480V	600V	
EBE 03420	10600	32.4	10100	31.6	9600	30.7	1X1	5.8	6.0	3.0	2.3	7.7	10.2	8.2	9.6	21.4	24.5	9.9	9.2	14.6
EBE 04530	10000	43.3	9600	42.2	9200	41.3	1X1	5.8	6.0	3.0	2.3	7.7	10.2	8.2	9.6	21.4	24.5	9.9	9.2	23.2
EBE 05460	9600	52.0	9000	51.3	8400	49.4	1X1	5.8	6.0	3.0	2.3	11.5	15.4	12.3	14.4	31.9	37.0	14.8	13.9	30.5
EBE 06840	21200	67.0	20100	65.2	19200	63.3	1X2	11.6	12.0	6.0	4.6	15.4	20.4	16.4	19.2	42.7	49.1	19.7	18.5	28.3
EBE 09060	20000	88.4	19200	86.2	18400	83.9	1X2	11.6	12.0	6.0	4.6	15.4	20.4	16.4	19.2	42.7	49.1	19.7	18.5	45.0
EBE 10910	19200	107.3	18000	103.5	16800	98.7	1X2	11.6	12.0	6.0	4.6	23.0	30.6	24.6	28.8	63.8	73.6	29.6	27.7	59.2
EBE 13600	30000	131.7	28800	126.3	27600	120.9	1X3	17.4	18.0	9.0	6.9	23.0	30.6	24.6	28.8	63.8	73.6	29.6	27.7	66.8
EBE 16370	28800	157.5	27000	155.5	25200	149.5	1X3	17.4	18.0	9.0	6.9	34.6	46.0	36.8	43.2	96.0	110.7	44.3	41.6	87.9
EBE 17160	38400	163.0	36800	158.7	34800	154.4	2X2	23.2	24.0	12.0	9.2	30.7	40.9	32.7	38.4	85.2	98.4	39.3	37.0	80.0
EBE 18610	40000	176.7	38400	173.1	36800	169.9	1X4	23.2	24.0	12.0	9.2	30.8	40.8	32.8	38.4	85.5	98.2	39.5	37.0	88.6
EBE 20980	36400	199.3	35000	194.8	33600	190.4	2X2	23.2	24	12	9.2	38.4	51.1	40.9	48.0	106.6	122.9	49.2	46.2	107.5
EBE 22210	38400	210.9	36000	208.4	33600	201.1	1X4	23.2	24.0	12.0	9.2	46.0	61.6	49.2	57.6	127.7	148.2	59.2	55.4	116.5
EBE 25730	57600	244.5	54720	240.8	52200	237.2	2X3	34.8	36	18	13.8	46.2	61.2	49.1	57.6	128.2	147.2	59.1	55.4	118.8
EBE 31460	54600	298.9	50400	285.5	48600	278.6	2X3	34.8	36	18	13.8	57.8	76.5	61.4	72.0	160.3	184.0	73.9	69.3	159.6
EBE 35400	76800	336.4	73600	327.6	69600	316.4	2X4	46.4	48	24	18.4	61.6	81.6	65.6	76.8	171.0	196.3	78.9	73.9	157.6
EBE 42720	72800	405.8	67200	387.8	64800	378.3	2X4	46.4	48	24	18.4	77.0	102.0	82.0	96.0	213.7	245.4	98.6	92.4	211.7

• Standard units are 4 FPI

• Wiring diagram figure-8

EBR/EBT

FOR FREEZERS FROM -40°F TO 0°F

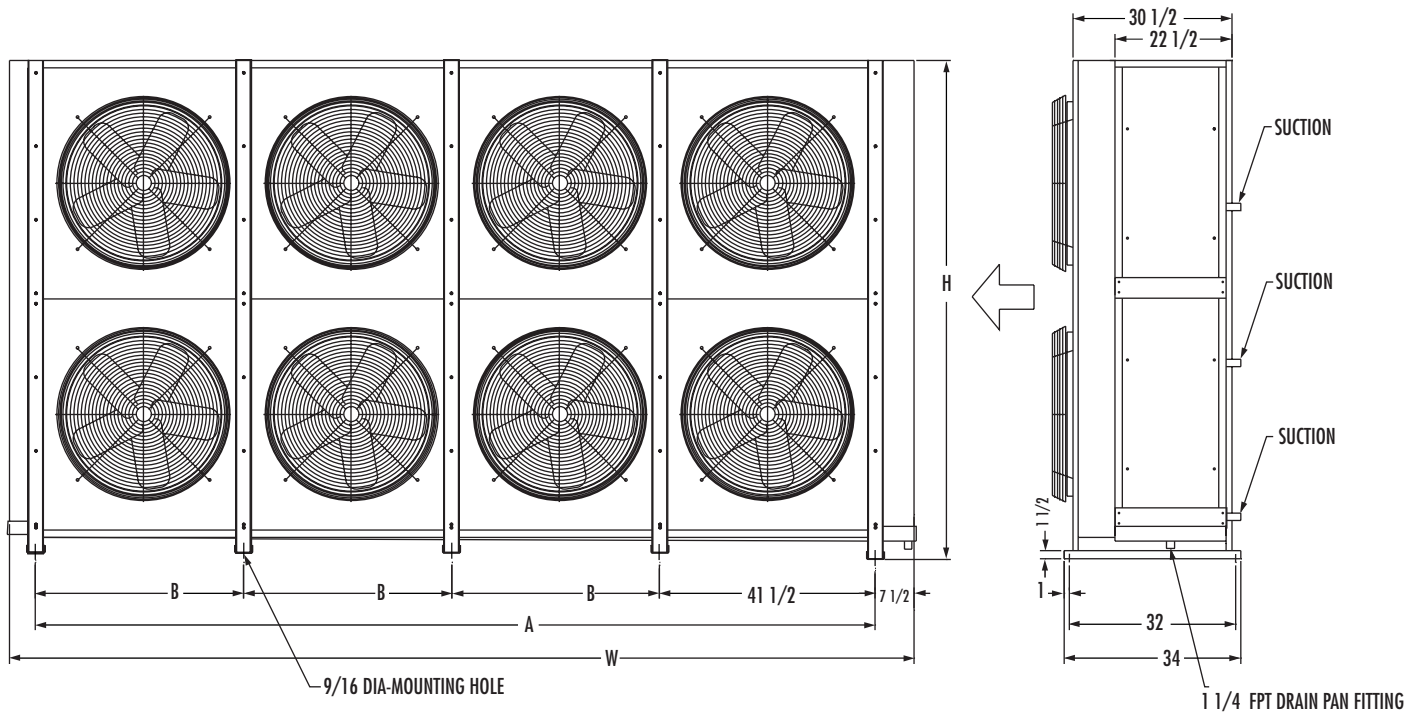
GAS DEFROST

MODEL	0" AIR STATIC		0.1" AIR STATIC		0.2" AIR STATIC		FAN ARRANGEMENT	FAN MOTOR ELECTRICAL DATA				R-404A, R507 OPERATING CHARGE (LBS)
	CFM	CAPACITY (MBH@ 10°F TD -40°F SUCTION)	CFM	CAPACITY (MBH@ 10°F TD -40°F SUCTION)	CFM	CAPACITY (MBH@ 10°F TD -40°F SUCTION)		FULL LOAD AMPERE				
								208V	240V	480V	600V	
EB(R)(T) 03420	10600	34.1	10100	33.2	9600	32.3	1X1	5.8	6.0	3.0	2.3	17.2
EB(R)(T) 04530	10000	45.6	9600	44.4	9200	43.2	1X1	5.8	6.0	3.0	2.3	25.8
EB(R)(T) 05460	9600	54.7	9000	54.0	8400	52.0	1X1	5.8	6.0	3.0	2.3	34.3
EB(R)(T) 06840	21200	70.5	20100	68.6	19200	66.6	1X2	11.6	12.0	6.0	4.6	33.3
EB(R)(T) 09060	20000	93.1	19200	90.7	18400	88.3	1X2	11.6	12.0	6.0	4.6	50.0
EB(R)(T) 10910	19200	112.9	18000	109.0	16800	103.9	1X2	11.6	12.0	6.0	4.6	66.7
EB(R)(T) 13600	30000	138.6	28800	137.2	27600	135.7	1X3	17.4	18.0	9.0	6.9	74.2
EB(R)(T) 16370	28800	165.8	27000	163.7	25200	157.4	1X3	17.4	18.0	9.0	6.9	99.0
EB(R)(T) 17160	38400	171.6	36800	167.1	34800	162.6	2X2	23.2	24.0	12.0	9.2	90.0
EB(R)(T) 18610	40000	186.1	38400	182.2	36800	178.9	1X4	23.2	24.0	12.0	9.2	98.6
EB(R)(T) 20980	36400	209.8	33600	205.0	33600	200.4	2X2	23.2	24	12	9.2	120.0
EB(R)(T) 22210	38400	222.1	36000	219.4	33600	210.8	1X4	23.2	24.0	12.0	9.2	131.3
EB(R)(T) 25730	57600	257.3	55200	253.5	52200	249.7	2X3	34.8	36	18	13.8	133.6
EB(R)(T) 31460	54600	314.6	50400	300.6	48600	293.2	2X3	34.8	36	18	13.8	178.2
EB(R)(T) 35400	76800	354.1	73600	344.8	69600	333.0	2X4	46.4	48	24	18.4	177.3
EB(R)(T) 42720	72800	427.2	67200	408.2	64800	398.2	2X4	46.4	48	24	18.4	236.4

• Standard units are 4 FPI

• Use EBR model for reverse cycle defrost with gas hot drain pan. (Piping diagram figure-1 and Wiring diagram figure-7)

• Use EBT model for three pipe defrost with gas hot drain pan. (Piping diagram figure-3 and Wiring diagram figure-7)



EB SERIES

MODEL	SHIPPING WEIGHT (LBS)	MODEL	SHIPPING WEIGHT (LBS)	FAN ARRANGEMENT	UNIT DIMENSIONS (INCHES)				⁽¹⁾ CONNECTION (INCHES)		
					W	H	A	B	EB(E/R/T)		EBT HOT GAS
									LIQUID	SUCTION	
EB(R)(T) 03420	750	EBE 03420	750	1X1	54	56	41.5	-	7/8	1 5/8	1 3/8
EB(R)(T) 04530	830	EBE 04530	830	1X1	54	56	41.5	-	7/8	1 5/8	1 3/8
EB(R)(T) 05460	880	EBE 05460	880	1X1	54	56	41.5	-	7/8	1 5/8	1 3/8
EB(R)(T) 06840	1190	EBE 06840	1190	1X2	94	56	81.5	40	1 3/8	2 1/8	1 5/8
EB(R)(T) 09060	1320	EBE 09060	1320	1X2	94	56	81.5	40	1 5/8	2 1/8	1 5/8
EB(R)(T) 10910	1430	EBE 10910	1430	1X2	94	56	81.5	40	(2) 1 3/8	(2) 1 5/8	(2) 1 3/8
EB(R)(T) 13600	1800	EBE 13600	1800	1X3	134	56	121.5	40	(2) 1 3/8	(2) 1 5/8	(2) 1 3/8
EB(R)(T) 16370	1900	EBE 16370	1900	1X3	134	56	121.5	40	(2) 1 5/8	(2) 2 1/8	(2) 1 5/8
EB(R)(T) 17160	2100	EBE 17160	2100	2X2	94	96	81.5	40	(2) 1 5/8	(2) 2 1/8	(2) 1 5/8
EB(R)(T) 18610	2180	EBE 18610	2180	1X4	174	56	161.5	40	(2) 1 5/8	(2) 2 1/8	(2) 1 5/8
EB(R)(T) 20980	2205	EBE 20980	2205	2X2	94	96	81.5	40	(2) 1 5/8	(2) 2 1/8	(2) 1 5/8
EB(R)(T) 22210	2370	EBE 22210	2370	1X4	174	56	161.5	40	(3) 1 5/8	(3) 2 1/8	(3) 1 5/8
EB(R)(T) 25730	2700	EBE 25730	2700	2X3	134	96	121.5	40	(3) 1 5/8	(3) 2 1/8	(3) 1 5/8
EB(R)(T) 31460	3060	EBE 31460	3060	2X3	134	96	121.5	40	(3) 1 5/8	(3) 2 1/8	(3) 1 5/8
EB(R)(T) 35400	3960	EBE 35400	3960	2X4	174	96	161.5	40	(4) 1 5/8	(4) 2 1/8	(4) 1 5/8
EB(R)(T) 42720	4410	EBE 42720	4410	2X4	174	96	161.5	40	(5) 1 5/8	(5) 2 1/8	(5) 1 5/8

⁽¹⁾Connection size & quantity may vary according to the system conditions.

- Operating charge are based on 30 % liquid and 70 % vapor at 25° F suction
- For R22 and R-134a refrigerant charge multiply R-404A by 1.09

- In order to specify unit voltage, use suffix 5 for 208-240V/3/60, suffix 9 for 480V/3/60 and suffix 8 for 600/3/60 (ex.: EBE 20980-8)
- All units are available for 200V/3/50 and 380/3/50 (multiple unit capacity by 0.92.)



FUSE SIZE AMPS.

MODEL	MOTORS				HEATERS			
	208V	240V	480V	600V	208V	240V	480V	600V
EBE 03420	15	15	15	15	25	30	15	15
EBE 04530	15	15	15	15	25	30	15	15
EBE 05460	15	15	15	15	35	45	15	15
EBE 06840	15	15	15	15	50	2X30	20	20
EBE 09060	15	15	15	15	50	2X30	20	20
EBE 10910	15	15	15	15	2X35	2X45	35	30
EBE 13600	20	20	15	15	2X35	2X45	35	30
EBE 16370	20	20	15	15	2X60	3X45	55	50
EBE 17160	25	25	15	15	2X50	3X45	45	45
EBE 18610	25	25	15	15	2X50	3X45	45	45
EBE 20980	25	25	15	15	3X40	3X50	2X30	50
EBE 22210	25	25	15	15	3X50	4X45	2X30	2X30
EBE 25730	35	40	20	15	4X50	4X45	2X35	2X30
EBE 31460	35	40	20	15	4X50	4X55	2X45	2 X40
EBE 35400	50	50	25	20	4X50	5X45	2X45	2X45
EBE 42720	50	50	25	20	5X50	6X50	3X40	2X55
EB(R)(T) 03420	15	15	15	15	N/A	N/A	N/A	N/A
EB(R)(T) 04530	15	15	15	15	N/A	N/A	N/A	N/A
EB(R)(T) 05460	15	15	15	15	N/A	N/A	N/A	N/A
EB(R)(T) 06840	15	15	15	15	N/A	N/A	N/A	N/A
EB(R)(T) 09060	15	15	15	15	N/A	N/A	N/A	N/A
EB(R)(T) 10910	15	15	15	15	N/A	N/A	N/A	N/A
EB(R)(T) 13600	20	20	15	15	N/A	N/A	N/A	N/A
EB(R)(T) 16370	20	20	15	15	N/A	N/A	N/A	N/A
EB(R)(T) 17160	25	25	15	15	N/A	N/A	N/A	N/A
EB(R)(T) 18610	25	25	15	15	N/A	N/A	N/A	N/A
EB(R)(T) 20980	25	25	15	15	N/A	N/A	N/A	N/A
EB(R)(T) 22210	25	25	15	15	N/A	N/A	N/A	N/A
EB(R)(T) 25730	35	40	20	15	N/A	N/A	N/A	N/A
EB(R)(T) 31460	35	40	20	15	N/A	N/A	N/A	N/A
EB(R)(T) 35400	50	50	25	20	N/A	N/A	N/A	N/A
EB(R)(T) 42720	50	50	25	20	N/A	N/A	N/A	N/A

WIRING DIAGRAMS

EMA & EHA

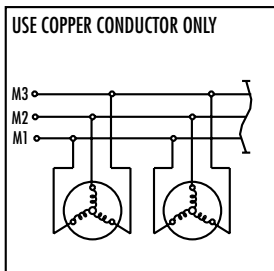


FIGURE-5

EMG, EMH, EHG, EHH, EIG, EIH

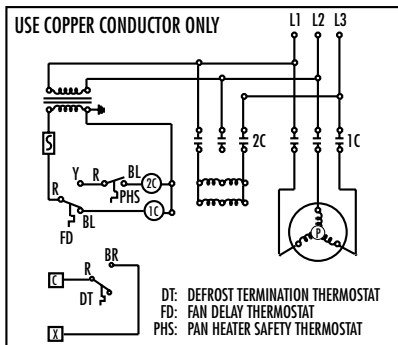


FIGURE-6

EMR, EMT, EHR, EHT, EIR, EIT, EBR, EBT

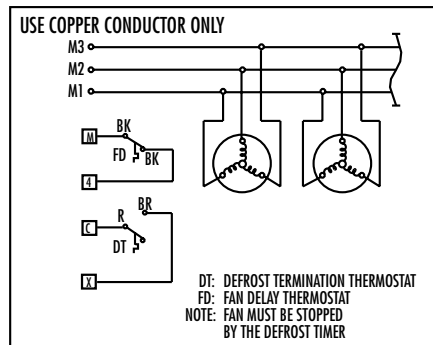


FIGURE-7

EME, EHE, EIE, EBE

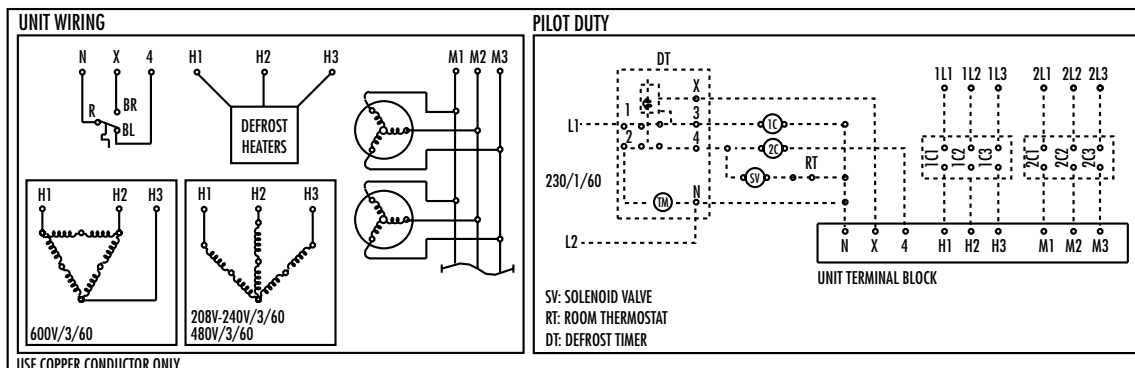


FIGURE-8



EF SERIES



EFE

FOR FREEZERS FROM -40°F TO 0°F

ELECTRIC DEFROST

MODEL	600FPM			700FPM			800FPM			EFE DEFROST HEATER ELECTRICAL DATA								R-404A, R-507 OPERATING CHARGE (LBS)
	CFM	STATIC PRESSURE (INCH OF WG)	CAPACITY (MBH@ 10°F TD -40°F SUCTION)	CFM	STATIC PRESSURE (INCH OF WG)	CAPACITY (MBH@ 10°F TD -40°F SUCTION)	CFM	STATIC PRESSURE (INCH OF WG)	CAPACITY (MBH@ 10°F TD -40°F SUCTION)	DEFROST HEATER (KW)				FULL LOAD AMPERE				
										208V	240V	480V	600V	208V	240V	480V	600V	
EFE 03420	8333	0.21	29.4	9722	0.27	30.9	11111	0.33	33.3	7.7	10.2	8.2	9.6	21.4	24.5	9.9	9.2	14.6
EFE 04530	8333	0.31	40.1	9722	0.40	42.5	11111	0.50	46.2	7.7	10.2	8.2	9.6	21.4	24.5	9.9	9.2	23.2
EFE 05460	8333	0.41	49.1	9722	0.53	52.4	11111	0.66	55.5	11.5	15.4	12.3	14.4	31.9	37.0	14.8	13.9	30.5
EFE 06840	16666	0.21	60.7	19444	0.27	63.8	22222	0.33	66.7	15.4	20.4	16.4	19.2	42.7	49.1	19.7	18.5	28.3
EFE 09060	16666	0.31	81.2	19444	0.40	86.8	22222	0.50	91.4	15.4	20.4	16.4	19.2	42.7	49.1	19.7	18.5	45.0
EFE 10910	16666	0.41	98.2	19444	0.53	108.2	22222	0.66	114.6	23.0	30.6	24.6	28.8	63.8	73.6	29.6	27.7	59.2
EFE 13600	25000	0.31	122.0	29167	0.40	133.9	33333	0.50	140.6	23.0	30.6	24.6	28.8	63.8	73.6	29.6	27.7	66.8
EFE 16370	25000	0.41	148.7	29167	0.53	158.8	33333	0.66	173.7	34.6	46.0	36.8	43.2	96.0	110.7	44.3	41.6	87.9
EFE 17160	30000	0.31	145.2	35000	0.40	158.7	40000	0.50	167.1	30.7	40.9	32.7	38.4	85.2	98.4	39.3	37.0	80.0
EFE 18610	33333	0.31	163.7	38888	0.40	173.6	44444	0.50	188.6	30.8	40.8	32.8	38.4	85.5	98.2	39.5	37.0	88.6
EFE 20980	30000	0.41	181.6	35000	0.54	194.1	40000	0.66	205.6	38.4	51.1	40.9	48.0	106.6	122.9	49.2	46.2	107.5
EFE 22210	33333	0.41	199.2	38888	0.53	212.8	44444	0.66	225.3	46.0	61.6	49.2	57.6	127.7	148.2	59.2	55.4	116.5
EFE 25730	45000	0.31	209.6	52500	0.40	238.1	60000	0.50	250.7	46.2	61.2	49.1	57.6	128.2	147.2	59.1	55.4	118.8
EFE 31460	45000	0.41	274.5	52500	0.53	293.5	60000	0.66	308.4	57.8	76.5	61.4	72.0	160.3	184.0	73.9	69.3	159.6
EFE 35400	60000	0.31	299.3	70000	0.40	317.5	80000	0.50	334.3	61.6	81.6	65.6	76.8	171.0	196.3	78.9	73.9	157.6
EFE 42720	60000	0.41	358.9	70000	0.53	398.5	80000	0.66	419.0	77.0	102.0	82.0	96.0	213.7	245.4	98.6	92.4	211.7

• Standard units are 4 FPI

EFR/EFT

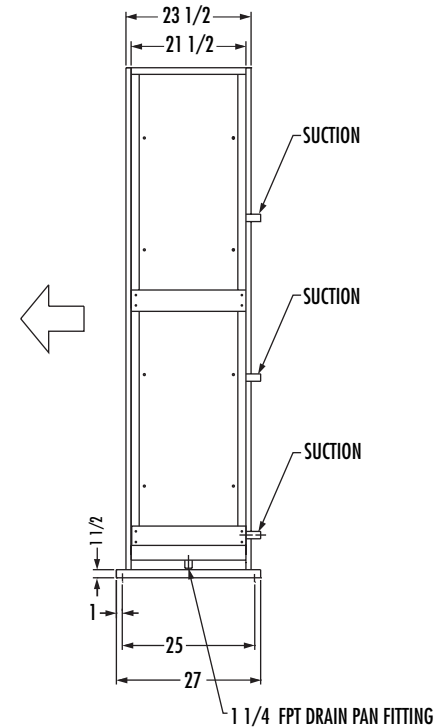
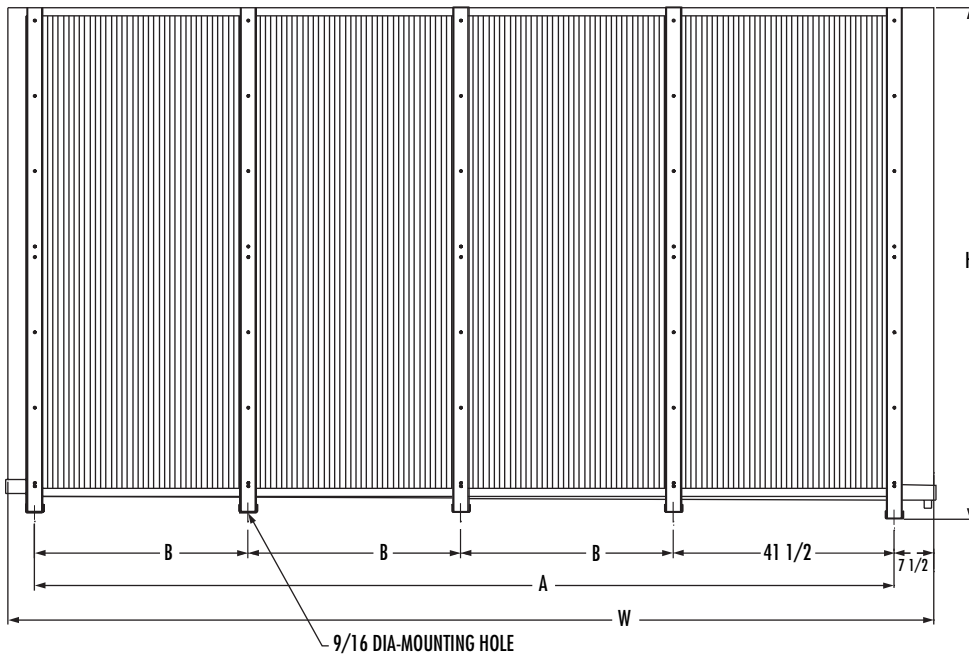
FOR FREEZERS FROM -40°F TO 0°F

GAS DEFROST

MODEL	600 FPM			700FPM			800FPM			R-404, R-507 OPERATING CHARGE (LBS)
	CFM	STATIC PRESSURE (INCH OF WG)	CAPACITY (MBH@ 10°F TD -40°F SUCTION)	CFM	STATIC PRESSURE (INCH OF WG)	CAPACITY (MBH@ 10°F TD -40°F SUCTION)	CFM	STATIC PRESSURE (INCH OF WG)	CAPACITY (MBH@ 10°F TD -40°F SUCTION)	
EFR(T) 03420	8333	0.21	31.0	9722	0.27	32.5	11111	0.33	35.1	17.2
EF(R)(T) 04530	8333	0.31	42.3	9722	0.40	44.8	11111	0.50	48.6	25.8
EFR(T) 05460	8333	0.41	51.7	9722	0.53	55.2	11111	0.66	58.4	34.3
EF(R)(T) 06840	16666	0.21	63.9	19444	0.27	67.1	22222	0.33	70.2	33.3
EFR(T) 09060	16666	0.31	85.5	19444	0.40	91.4	22222	0.50	96.2	50.0
EF(R)(T) 10910	16666	0.41	103.3	19444	0.53	113.9	22222	0.66	120.6	66.7
EFR(T) 13600	25000	0.31	128.5	29167	0.40	140.5	33333	0.50	148.0	74.2
EF(R)(T) 16370	25000	0.41	156.5	29167	0.53	167.2	33333	0.66	182.8	99.0
EFR(T) 17160	30000	0.31	152.8	35000	0.40	167.1	40000	0.50	175.9	90.0
EF(R)(T) 18610	33333	0.31	172.4	38888	0.40	182.8	44444	0.50	198.8	98.6
EFR(T) 20980	30000	0.41	191.2	35000	0.54	204.3	40000	0.66	216.4	120.0
EF(R)(T) 22210	33333	0.41	209.6	38888	0.53	224.1	44444	0.66	237.2	131.3
EFR(T) 25730	45000	0.31	220.7	52500	0.40	250.6	60000	0.50	263.9	133.6
EF(R)(T) 31460	45000	0.41	288.9	52500	0.53	309.0	60000	0.66	324.6	178.2
EFR(T) 35400	60000	0.31	315.0	70000	0.40	334.2	80000	0.50	351.9	177.3
EF(R)(T) 42720	60000	0.41	377.8	70000	0.53	419.5	80000	0.66	441.0	236.4

• Use EFR model for reverse cycle defrost with hot gas drain pan.
(Piping diagram figure-1)

• Use EFT model for three pipe defrost with hot gas drain pan.
(Piping diagram figure-3)



EF SERIES

MODEL	SHIPPING WEIGHT (LBS)	MODEL	SHIPPING WEIGHT (LBS)	UNIT DIMENSIONS (INCHES)				⁽¹⁾ CONNECTION (INCHES)		
								EFE(R)(T)		EFT
				LIQUID	SUCTION	HOT GAS				
EF(R)(T) 03420	580	EFE 03420	580	54	56	41.5	-	7/8	1 5/8	1 3/8
EF(R)(T) 04530	650	EFE 04530	650	54	56	41.5	-	7/8	1 5/8	1 3/8
EF(R)(T) 05460	710	EFE 05460	710	54	56	41.5	-	7/8	1 5/8	1 3/8
EF(R)(T) 06840	880	EFE 06840	880	94	56	81.5	40	1 3/8	2 1/8	1 5/8
EF(R)(T) 09060	1000	EFE 09060	1000	94	56	81.5	40	1 5/8	2 1/8	1 5/8
EF(R)(T) 10910	1140	EFE 10910	1140	94	56	81.5	40	(2) 1 3/8	(2) 1 5/8	(2) 1 3/8
EF(R)(T) 13600	1380	EFE 13600	1380	134	56	121.5	40	(2) 1 3/8	(2) 1 5/8	(2) 1 3/8
EF(R)(T) 16370	1570	EFE 16370	1570	134	56	121.5	40	(2) 1 5/8	(2) 2 1/8	(2) 1 5/8
EF(R)(T) 17160	1657	EFE 17160	1657	94	96	81.5	40	(2) 1 5/8	(2) 2 1/8	(2) 1 5/8
EF(R)(T) 18610	1730	EFE 18610	1730	174	56	161.5	40	(2) 1 5/8	(2) 2 1/8	(2) 1 5/8
EF(R)(T) 20980	1810	EFE 20980	1810	94	96	81.5	40	(2) 1 5/8	(2) 2 1/8	(2) 1 5/8
EF(R)(T) 22210	2020	EFE 22210	2020	174	56	161.5	40	(3) 1 5/8	(3) 2 1/8	(3) 1 5/8
EF(R)(T) 25730	1953	EFE 25730	1953	134	96	121.5	40	(3) 1 5/8	(3) 2 1/8	(3) 1 5/8
EF(R)(T) 31460	2322	EFE 31460	2322	134	96	121.5	40	(3) 1 5/8	(3) 2 1/8	(3) 1 5/8
EF(R)(T) 35400	3114	EFE 35400	3114	174	96	161.5	40	(4) 1 5/8	(4) 2 1/8	(4) 1 5/8
EF(R)(T) 42720	3620	EFE 42720	3620	174	96	161.5	40	(5) 1 5/8	(5) 2 1/8	(5) 1 5/8

⁽¹⁾Connection size & quantity may vary according to the system conditions.

- Standard units are 4 FPI
- Operating charge are based on 30 % liquid and 70 % vapor at 25° F suction

- For R22 and R-134a refrigerant charge multiply R-404a by 1.09
- In order to specify unit voltage, use suffix 5 for 208-240V/3/60, suffix 9 for 480V/3/60 and suffix 8 for 600/3/60 (ex.: EFE 13600-8)
- All units are available for 200V/3/50 and 380/3/50

FUSE SIZE AMPS.

MODEL	HEATERS			
	208V	240V	480V	600V
EFE 03420	25	30	15	15
EFE 04530	25	30	15	15
EFE 05460	35	45	15	15
EFE 06840	50	2X30	20	20
EFE 09060	50	2X30	20	20
EFE 10910	2X35	2X45	35	30
EFE 13600	2X35	2X45	35	30
EFE 16370	2X60	3X45	55	50

MODEL	HEATERS			
	208V	240V	480V	600V
EFE 17160	2X50	3X45	45	45
EFE 18610	2X50	3X45	45	45
EFE 20980	3X40	3X50	2X30	50
EFE 22210	3X50	4X45	2X30	2X30
EFE 25730	4X50	4X45	2X35	2X30
EFE 31460	4X50	4X55	2X45	2X40
EFE 35400	4X50	5X45	2X45	2X45
EFE 42720	5X50	6X50	3X40	2X55



INDUSTRIAL WALK-IN UNIT COOLERS AND BLAST FREEZERS

APPLICATIONS:

- **EMA** and **EHA** are for coolers +34°F and above
- **EME, EMG, EMH, EMR, EMT, EHE, EHG, EHH, EHR, EHT, EIE, EIG, EIH, EIR, EIR** are for coolers and freezers from -40°F to +34°F.
- **EBE, EBR, EBT** and **EFE, EFR, EFT** are designed for fast freezing tunnel from -40°F to 0°F.

SPECIFICATIONS:

High velocity **EM, EH** and **EI** series are ceiling mounted.

Extra high velocity **EB** and **EF** are floor mounted for high wind freezing tunnel. (**EF** series comes without fan)

All units are single coil construction for an air distribution toward the center of the cooler and freezer. The fans draw air from the evaporator coil and discharge it through the fan guards on the front of the unit.

Coils are manufactured with seamless deoxidised heavy wall smooth copper tubes and aluminum plate fins. For a maximum heat transfer, the tubes are mechanically expanded into self spaced plate fins with full collar for a permanent bond. Connections and bends are brazed with high temperature brazing alloy. Coils are factory leak tested at 400 psig and purged with a -40°F dew point dry air. Coils are circuited for HCFC and HFC refrigerant and they are provided with sweat type connections. (Different coating materials are available)

The casing material for standard **EM** series is heavy gage textured aluminum, for standard **EH, EI, EB** and **EF** series is heavy gage galvanized steel. All units come with stainless steel or plated hardware for a lightweight assembly. (Other material are available)

EM series are provided with removable 7/8" I.D. gasketed drain fitting for an easier installation and cleaning.

EH, EI, EB and **EF** series are provided with welded 1 1/4" female pipe thread drain fitting for easier installation and cleaning when installed with a drain union.

All units, except for **EF** series, are provided with heavy duty fan motors with even phase loading and very high starting torque. They are also permanently lubricated and thermally protected for a long life and dependable service. They are available for 208-230/3/60, 480/3/60 and 600/3/60. 208-230-480/3/60 motors can be used on 200-380/3/50.

Fan guards and motor mounts are spot welded wire construction and coated with black PVC coating.

Fans are made of aluminum blade riveted to epoxy painted steel hub for light weight assembly. **EB** series have optional cast aluminum fan blade.

All units are provided with insulated drain pan.

All units are assembled with corrosion free material and components.

All **EME, EHE, EIE, EBE** and **EFE** models are provided with a defrost termination and fan delay thermostat. All units feature incoloy low watt density tubular heaters. They are imbedded within the coil for positive defrost and high-energy efficiency. This allows to reduce heat gain in coolers and freezers. They are available for 208-240/3/60, 480/3/60, 480/3/60 and 575/3/60. 240/3/60 and 480/3/60 can be used on 200/3/50 and 380/3/50. All units use proper number of heaters for an even phase loading.

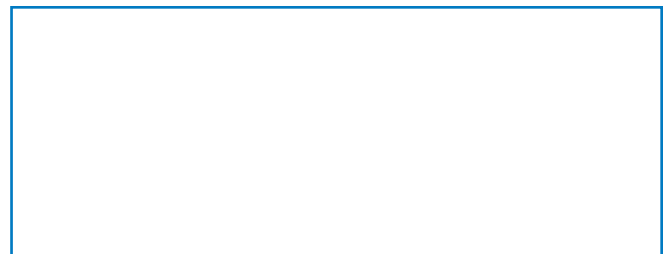
EMG, EHG, EIG, EMH, EHH and **EIH** models are provided with fan motor contactor, heater contactor, drain pan heater safety, fan delay and defrost termination thermostat. These thermostats sense the coil temperature and control the operation of fans and heaters. All units feature incoloy low watt density tubular heaters.

EMR, EHR, EIR, EBR, EFT, EMT, EHT, EIT, EBT and **EFT** are provided with fan delay and defrost termination thermostat and gas defrost pan grid.

All units are modular design to use a minimum of different parts to simplify replacement and reduce inventory.

All controls, motors and heaters are factory wired to provide a fully automatic operation of the unit cooler.

Specifications subject to change without notice.



IND-05-00-R2A-5K

Head Office: 1385, De Coulomb, Boucherville (Qc) Canada J4B 7L8
Tel.: (450) 641-2665 • Fax: (450) 641-4554 • Toll Free: 1-888-816-2665

Internet: www.refplus.com